

## Mechanical Temperature Measurement

# Bimetal Thermometer Standard series Model A50

### Applications

- For heating facilities
- Hot water boiler
- Solar power systems

### Special Features

- Accuracy class 2
- Nominal size 63, 80, 100 and 160
- Scale ranges from -30 ... 200 °C



**Bimetal Thermometer Model A50.20**

### Description

#### Nominal size in mm

63, 80, 100 and 160

#### Temperature element

Coiled bimetal

#### Design of connection

Stem removable, with set screw

#### Accuracy class

Class 2 per EN 13190

#### Pressure rating of thermowell

Approx. 6 bar

#### Location of stem

Centre back

#### Case

Model A50.10: Aluminium

Model A50.20: Steel, zinc plated

#### Connection

Thermowell G ½ B, Cu-alloy

#### Stem

Model A50.10: Ø 9 mm Aluminium

160 °C or  $l_1 > 200$  mm Cu-alloy

Model A50.20: Ø 9 mm Cu-alloy

#### Thermowell

Length  $l_1 = 40, 60, 100, 160, 200, 250, 300$  mm,  
Cu-alloy

#### Dial

Aluminium, white, lettering black

#### Pointer

Aluminium, black

#### Window

Acrylic plastic

#### Zero Adjustment

At bottom of stem

## Options

- Other scale ranges
- Stem  $\varnothing$  7 mm, Cu-alloy
- Designs for medical applications on request

### Scale ranges

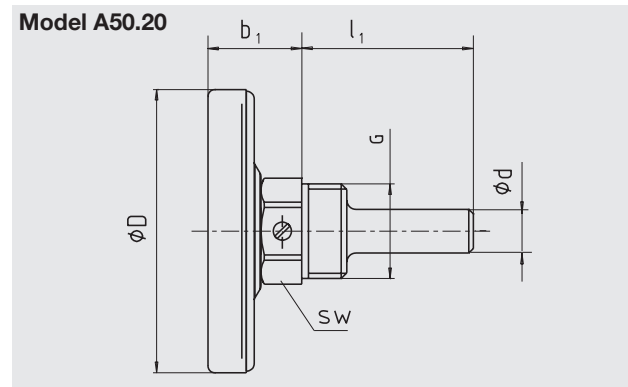
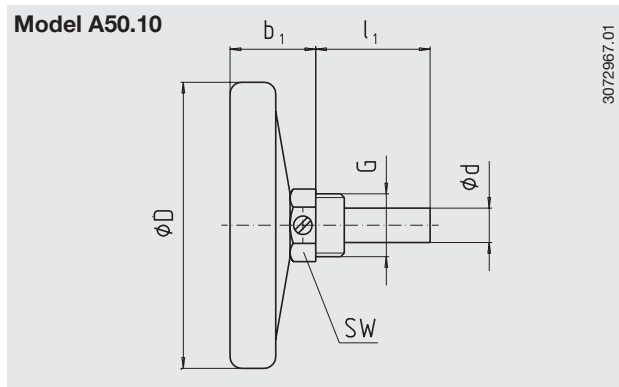
Scale ranges in °C	Scale spacing in °C
-30 ... +50	1
-20 ... +60	1
-10 ... +50	1
0 ... 60	1
0 ... 80	1
0 ... 120	2
0 ... 160	2
0 ... 200	5

### Models

NS	Location of stem	Model
63	centre back	A50.10/20
80	centre back	A50.10/20
100	centre back	A50.10/20
160	centre back	A50.10

## Dimensions in mm

### Standard version



### Model A50.10

NS	Dimensions in mm						SW	Weight in kg back
	$b_1$	$\varnothing d$	$\varnothing D$	G	$l_1$			
63	23	12 <sup>1)</sup>	63	G ½ B	40, 60, 100, 160, 200, 250, 300	21	0.08	
80	25	12 <sup>1)</sup>	80	G ½ B	40, 60, 100, 160, 200, 250, 300	21	0.10	
100	30	12 <sup>1)</sup>	100	G ½ B	40, 60, 100, 160, 200, 250, 300	21	0.13	
160	32	12 <sup>1)</sup>	160	G ½ B	40, 60, 100, 160, 200, 250, 300	21	0.28	

1)  $\varnothing d = 11$  with thermowell length  $l_1 > 100$

### Model A50.20

NS	Dimensions in mm						SW	Weight in kg back
	$b_1$	$\varnothing d$	$\varnothing D$	G	$l_1$			
63	23	12 <sup>1)</sup>	63	G ½ B	40, 60, 100, 160, 200, 250, 300	21	0.09	
80	23	12 <sup>1)</sup>	80	G ½ B	40, 60, 100, 160, 200, 250, 300	21	0.12	
100	23	12 <sup>1)</sup>	100	G ½ B	40, 60, 100, 160, 200, 250, 300	21	0.17	

1)  $\varnothing d = 11$  with thermowell length  $l_1 > 100$

## Ordering information

Model / Nominal size / Scale range / Connection / Length of stem  $l_1$  / Options